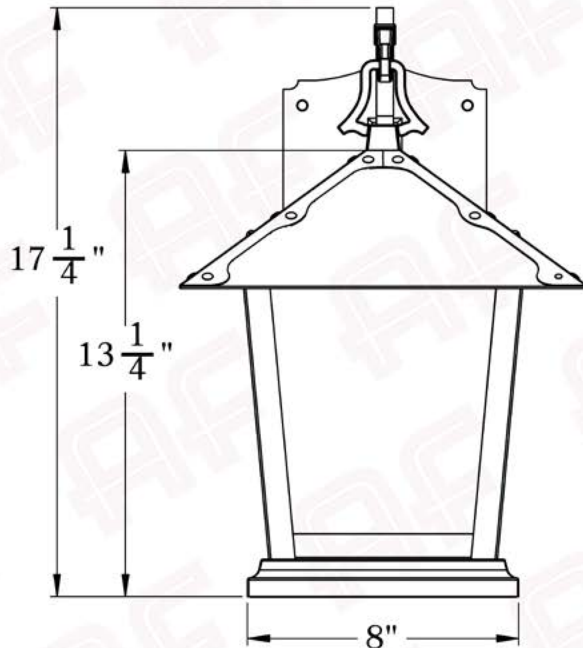




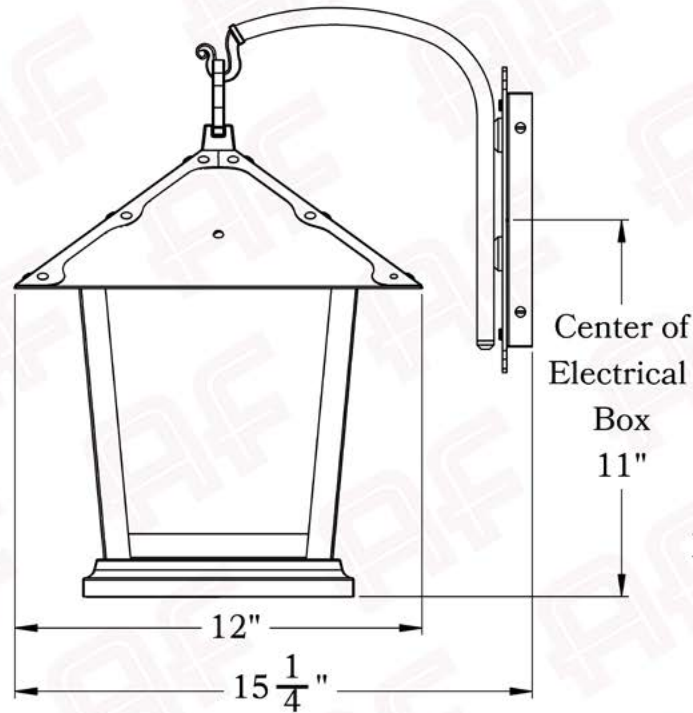
The Spring Street Series
Hook Arm Sconce
Large

AMERICA'S FINEST 
Lighting & Mailbox Co.

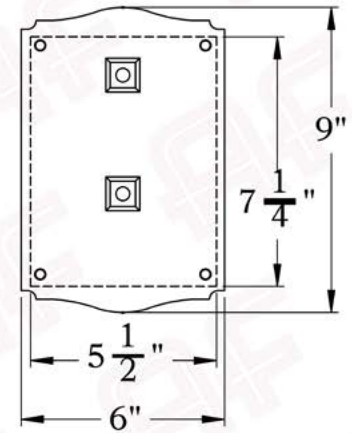
Large



FRONT VIEW



SIDE VIEW



BACKPLATE VIEW

Dimensions

| | |
|----------------|---------|
| Roof Width | 12" |
| Body Width | 8" |
| Lantern Height | 13 1/4" |
| Height | 17 1/2" |
| Projection | 15 1/4" |
| Mounting Plate | 6" x 9" |

Electrical Specs

| | |
|-----------------------|-------------------|
| UL Rating | Damp |
| Voltage | 120V |
| Socket Type | Medium Base - E26 |
| Number of Light Bulbs | 1 |
| Max Wattage per Bulb | 100W |
| LED Bulb | Supplied |
| Dimmable | Yes |

Additional Information

| | |
|--------------------------|---------------------------|
| Manufacturer | America's Finest Lighting |
| Mounting Location | Interior and Exterior |
| Material | Brass |
| Multiple Overlay Options | Yes |
| Bottom Glass Panels | Included |

Overlays Available In This Series



Trellis



Lattice



Cross



Trellis with Ivy

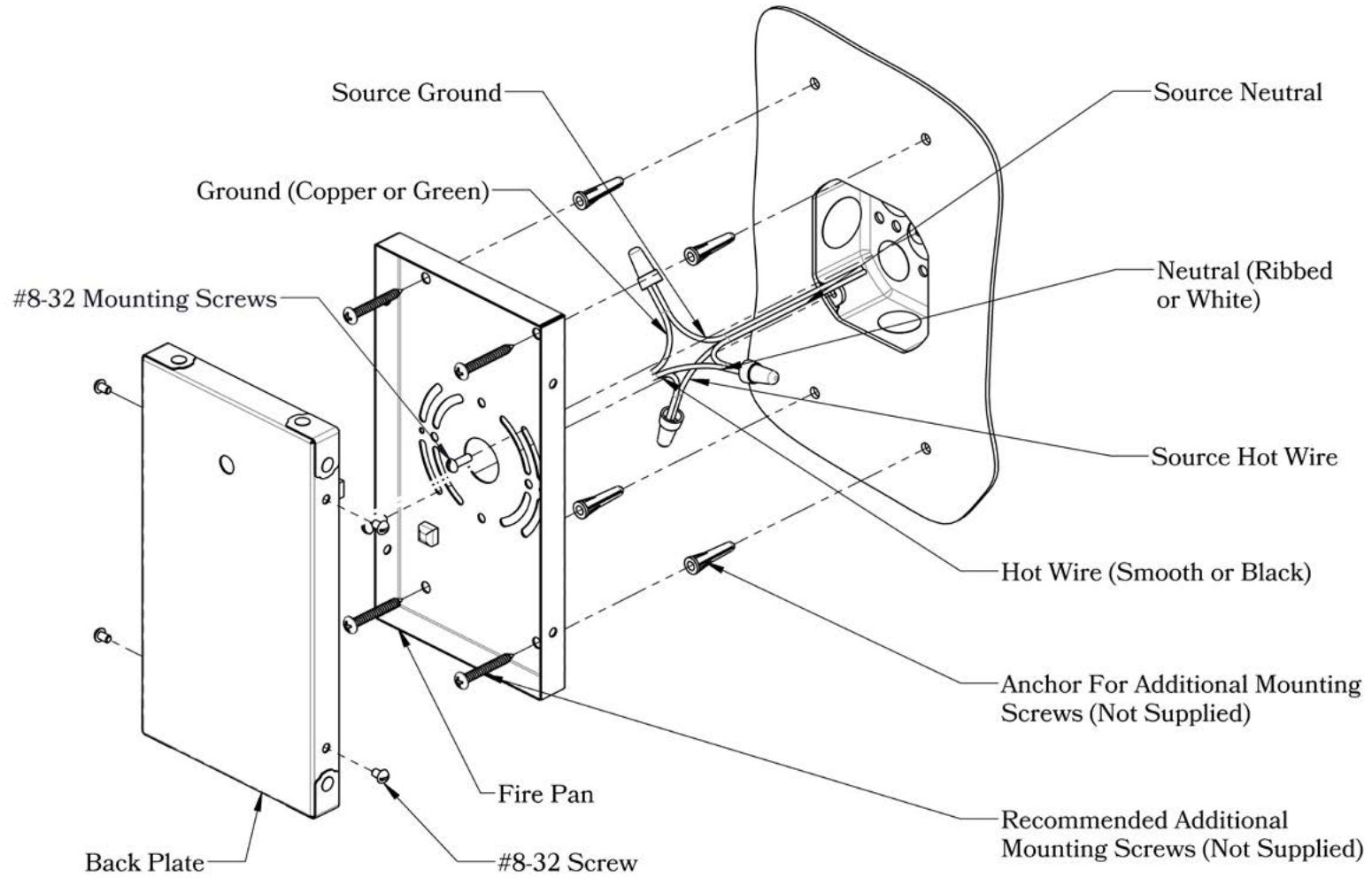


Lattice with Ivy



Glass Only

Mounting Instructions | Wall Mount With Fire Pan



CAUTION—DISCONNECT POWER

Always shut off power when installing or repairing this (or any other) electrical appliance. Failure to do so may result in severe injury or death. This product must be installed in accordance with applicable installation codes by a person familiar with the construction and operation of the product, and the hazards involved.